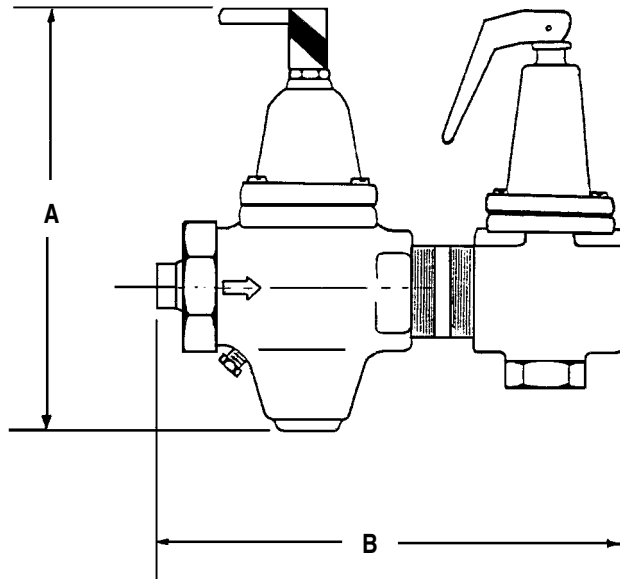


Dual Control Valve



Features:

- Combination relief and pressure reducing valve
- Adjustable pressure range 10-25 psig
- Preset pressure at 12 psig
- Maximum working temperature of 212°F
- Maximum operating pressure of 30 psig for relief valve and 100 psig for reducing valve

Dimensions: (For Models DC0050S and DC0050)

A	B	Weight (lbs.)
5 ⁵ / ₁₆ "	6 ¹³ / ₁₆ "	3.3

Bill of Materials

Model Number	Material Specification	Size and Type of Connections
DC0050S	Cast Iron	1/2" Sweat 1/2" NPT
DC0050	Cast Iron	1/2" NPT

JOB NAME _____
 LOCATION _____

 CONTRACTOR _____
 CONTRACTOR P.O. NO. _____

ITEMS	QUANTITY
_____	_____
_____	_____
_____	_____
_____	_____
_____	_____