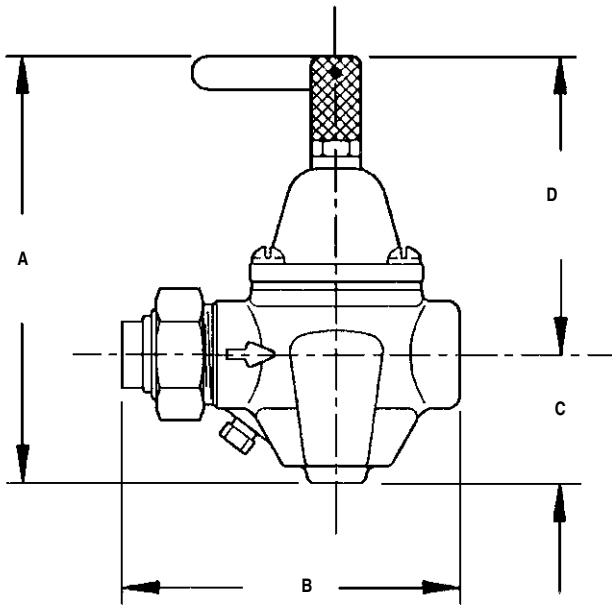


# Water Pressure Reducing Valve



Model WPR0050S & WPR0050

## Features:

- Reduces city water pressure to desired system pressure
- Automatically feeds water when pressure in a system drops below the setting of the valve
- Cast iron or bronze construction
- Easily and quickly serviced without removing valve from line
- Integral strainer
- Adjustable pressure range of 20-70 psig; factory set at 45 psig
- Maximum working pressure of 400 psig
- Maximum operating temperature of 180°F

## Dimensions:

| Model    | Material  | Size       | A        | B        | C       | D        | Wt. (lbs.) |
|----------|-----------|------------|----------|----------|---------|----------|------------|
| WPR0050S | Cast Iron | 1/2" Sweat | 5 5/16"  | 4 1/16"  | 1 5/8"  | 4 5/16"  | 2.2        |
| WPR0050  | Cast Iron | 1/2" NPT   | 5 5/16"  | 4 1/16"  | 1 5/8"  | 4 5/16"  | 2.2        |
| WPR0075  | Bronze    | 3/4" NPTF  | 5 13/32" | 4 15/32" | 1 3/64" | 4 11/32" | 2.0        |

JOB NAME \_\_\_\_\_  
 LOCATION \_\_\_\_\_  
 \_\_\_\_\_  
 \_\_\_\_\_  
 CONTRACTOR \_\_\_\_\_  
 CONTRACTOR P.O. NO. \_\_\_\_\_

| ITEMS | QUANTITY |
|-------|----------|
| _____ | _____    |
| _____ | _____    |
| _____ | _____    |
| _____ | _____    |
| _____ | _____    |