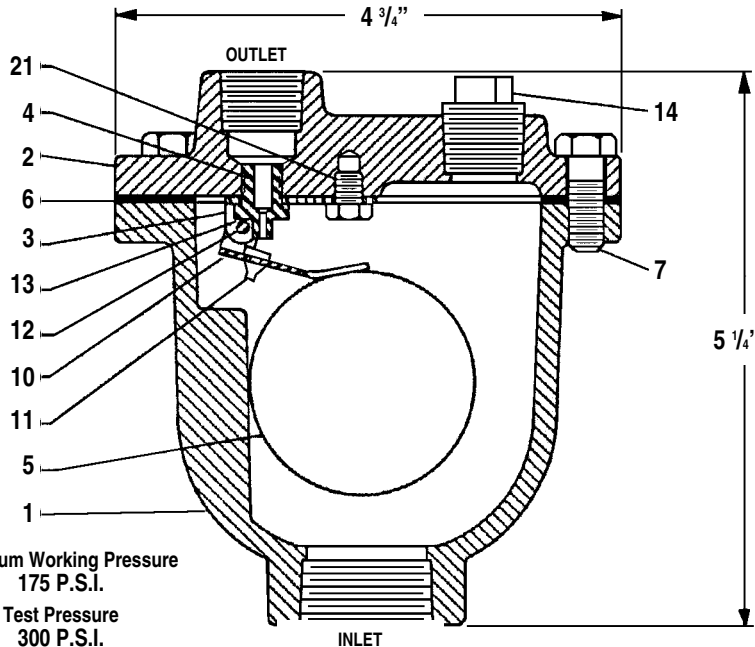


Air Release Valve



Maximum Working Pressure
175 P.S.I.
Test Pressure
300 P.S.I.

Dimensions

Model No.	Valve Size	Inlet Size	Outlet Size	Orifice Size
AR0050	1/2"	1/2" NPT	1/2" NPT	1/16"
AR0075	3/4"	3/4" NPT	1/2" NPT	1/16"
AR0100	1"	1" NPT	1/2" NPT	1/16"

Bill of Materials

Part No.	Part Name	Material
1	Body	Cast Iron ASTM A126, Class B
2	Cover	Cast Iron ASTM A126, Class B
3	Lever Frame	Stainless Steel T304, ASTM A240
4	Seat	Stainless Steel T303, ASTM A276
5	Float	Stainless Steel T304, ASTM A240
6	Gasket	Garlock #3000 (Non-asbestos)
7	Cover Bolt	Alloy Steel SAE Grade 5
10	Float Arm	Stainless Steel T304, ASTM A240
11	Orifice Button	Viton
12	Pivot Pin	Stainless Steel T303, ASTM A276
13	Pin Retainer	Stainless Steel PH 15-7 MO
14	Pipe Plug	Malleable Iron
21	Locator	Stainless Steel T18-8, ASTM A276

JOB NAME _____
 LOCATION _____

 CONTRACTOR _____
 CONTRACTOR P.O. NO. _____

ITEMS	QUANTITY
_____	_____
_____	_____
_____	_____
_____	_____
_____	_____



A GFP Company
 932 Brookwood Drive
 Columbia, SC 29201
 803.343.0710
 TOLL FREE 866.267.1379
 FAX 803.343.0713
www.mechanicalroomsupplies.com