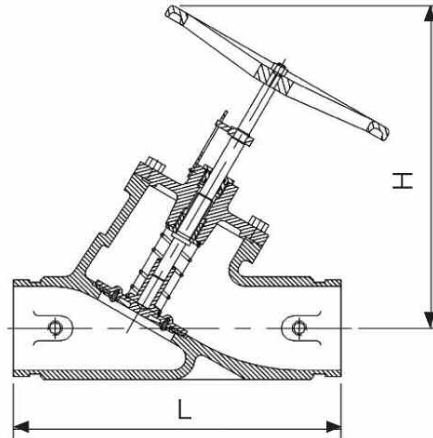


Triple Duty Valve (Grooved End) Globe Style

Capabilities

- Flow Regulator Valve
- Back Flow Preventor
- Positive Shutoff Valve
- HWO Operated

SIZE	L inch (mm)	H inch (mm)
2"	9	11.8
50	230	300
2 1/2"	11.42	12.6
65	290	320
3"	12.2	13.78
80	310	350
4"	13.78	17.9
100	350	455
5"	15.75	20.28
125	400	515
6"	18.90	20.5
150	480	565
8"	23.62	27.95
200	600	710
10"	28.74	34.25
250	730	895
12"	33.46	39.37
300	850	1000



MATERIAL OF CONSTRUCTION

Body and Yoke	DI, ASTM A536 Gr. 65-45-12
Disc	Stainless Steel, SS304
Gasket	EPDM
Disc Seat	EPDM
Spring	Stainless Steel, SS304
Handwheel	CI, ASTM A126 Class B
Indicator	Aluminium
Indicator Plate	Aluminium

WORKING PRESSURES - NOTES

2" to 12" 16 Bar or 200 WOG

1. Grooved End according to AWWA C606.
2. Working pressure: 16 bar or 200WOG
3. External and internal parts Epoxy Powder coated

Dimensions and materials are subject to change without notice, please confirm with factory at time of order.

JOB NAME _____
 LOCATION _____

 CONTRACTOR _____
 CONTRACTOR P.O. NO. _____

ITEMS	QUANTITY
_____	_____
_____	_____
_____	_____
_____	_____
_____	_____