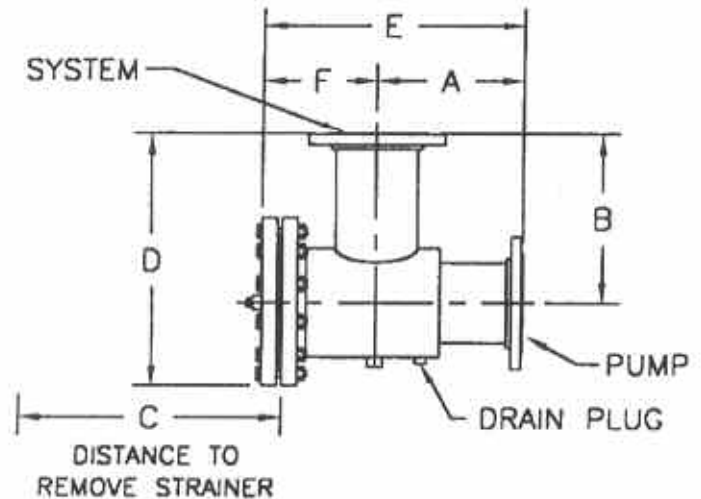


Large Size Flow Diverters

Flow Diverters

- Carbon Steel Construction
- Space Saving Design
- Combines Strainer & 90° Elbow
- Back Pull Out Strainer
- Class 125/150 Flanged
- Stainless Steel Strainer
- 20 Mesh Stainless Startup Screen
- Straightening Vanes
- 175 PSI Pressure Rating
- Maximum Temperature 350° Degrees
- Larger Sizes upon Request
- Grooved Ends Can be Provided



Model Number	System Connection	Pump Connection	Dimensions					
			A	B	C	D	E	F
FD1410	14"	10"	17"	17"	19 7/8"	29 1/2"	29 5/8"	12 5/8"
FD1412	14"	12"	17"	17"	19 7/8"	29 1/2"	29 5/8"	12 5/8"
FD1414	14"	14"	18"	18"	21 1/2"	31 3/4"	31 3/4"	13 3/4"
FD1610	16"	10"	18"	18"	21 1/2"	31 3/4"	31 3/4"	13 3/4"
FD1612	16"	12"	18"	18"	21 1/2"	31 3/4"	31 3/4"	13 3/4"
FD1614	16"	14"	18"	18"	21 1/2"	31 3/4"	31 3/4"	13 3/4"