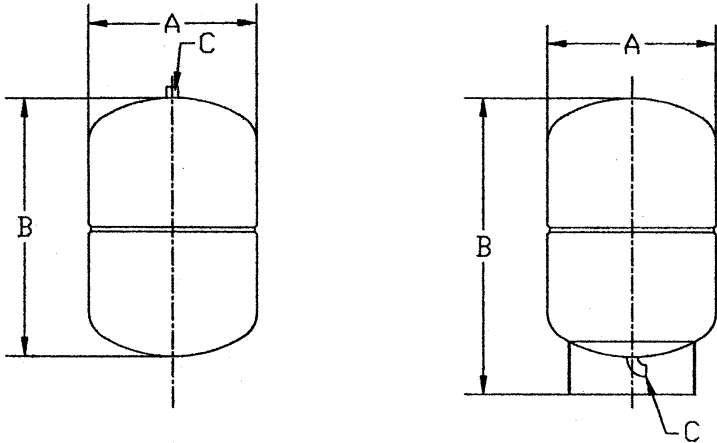




THERMAL DIAPHRAGM TANK

(non-code)



PART NUMBER	TANK VOLUME	DIAMETER A (IN.)	LENGTH B (IN.)	INLET/OUTLET C (IN.)	WEIGHT	WORKING PRESSURE
NTE-002	2.1	8.03	11.82	3/4	7	150 PSI
NTE-005	5.0	10.63	16.15	3/4	13	150 PSI
NTE-006	6.5	12.60	13.98	3/4	14	150 PSI
NTE-009	9.0	15.75	15.36	3/4	19	150 PSI
NTE-013-STD	13.0	15.75	23.25	1	23	150 PSI

*STD: Stand Model
 *All Others: In-Line Model

USE:

Designed for storage of hot domestic potable water for expansion on water heaters and boilers.
 Diaphragm material is suitable for domestic water applications.
 Installation of tank will help eliminate spillage of hot water on the floor.
 Excellent for backflow applications.

SPECIFICATIONS:

Carbon Steel Construction
 Maximum Temperature 200° F
 Permanent Separation of Air and Water
 Stainless Steel Connection Prevents Corrosion

Non-code
 Working Pressure: See Table Above
 Powder Coated Epoxy Finish Exterior
 Factory Precharge at 40 P.S.I. (Field Adjustable)

JOB NAME _____
 LOCATION _____

 CONTRACTOR _____
 CONTRACTOR P.O. NO. _____

ITEMS	QUANTITY
_____	_____
_____	_____
_____	_____
_____	_____
_____	_____

A GFP Company
 932 Brookwood Drive
 Columbia, SC 29201
 803.343.0710
 TOLL FREE 866.267.1379
 FAX 803.343.0713
 www.mechanicalroomsupplies.com