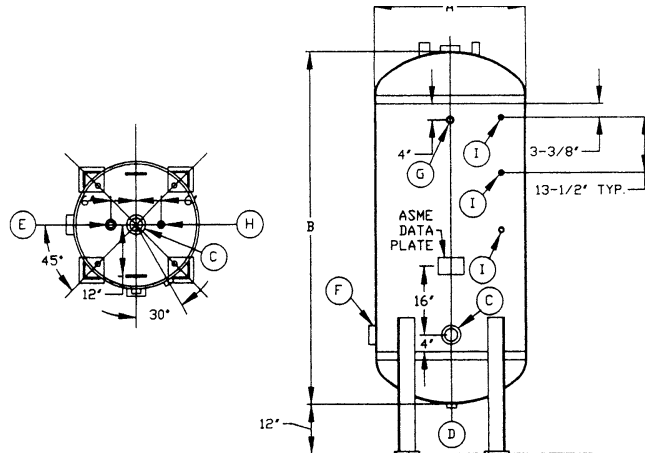


ASME GLASSLINED STORAGE TANK



STOCKED UNITS

PART NUMBER	TANK VOLUME	WEIGHT LBS	WORKING PRESSURE
GST-203	203	406	150 PSI
GST-339	339	653	150 PSI
GST-525	525	1029	150 PSI

PART NUMBER	DIAMETER A (IN.)	HEIGHT B (IN.)	INLET/OUTLET C (IN.)	DRAIN D (IN.)	R.V. E (IN.)	RECIR. F (IN.)	T.STAT G (IN.)	THERM. H (IN.)	ANODE I (IN.)
GST-203	30	72	3	1 1/4	1 1/4	3	1 1/4	3/4	1
GST-339	36	84	3	1 1/2	1 1/2	3	1 1/4	3/4	1
GST-525	42	96	4	2	1 1/2	4	1 1/4	3/4	1

OPTIONS AVAILABLE:

- Saddles
- Pressure Gauges
- Relief Valves
- Insulation Jackets
- Thermometers

CONTACT US FOR PRICING

Note: These tanks can be used vertically or horizontally.

USE: Design for storage of domestic & non-domestic cold or hot water.

Baked on glasslining process on interior provides years of reliable service.

SPECIFICATION:

ASME Section IV, Stamped with Documentation
 Working Pressure Rated at 150 P.S.I.
 Primed & Painted Exterior
 Includes Annodes

Carbon Steel Construction
 Maximum Temperature 210° F
 Includes Four Legs
 For Horizontal Application, Add Saddles

JOB NAME _____
 LOCATION _____

 CONTRACTOR _____
 CONTRACTOR P.O. NO. _____

ITEMS	QUANTITY
_____	_____
_____	_____
_____	_____
_____	_____
_____	_____



A GFP Company
 932 Brookwood Drive
 Columbia, SC 29201
 803.343-0710
 TOLL FREE 866.267.1379
 FAX 803.343-0713
www.mechanicalroomsupplies.com