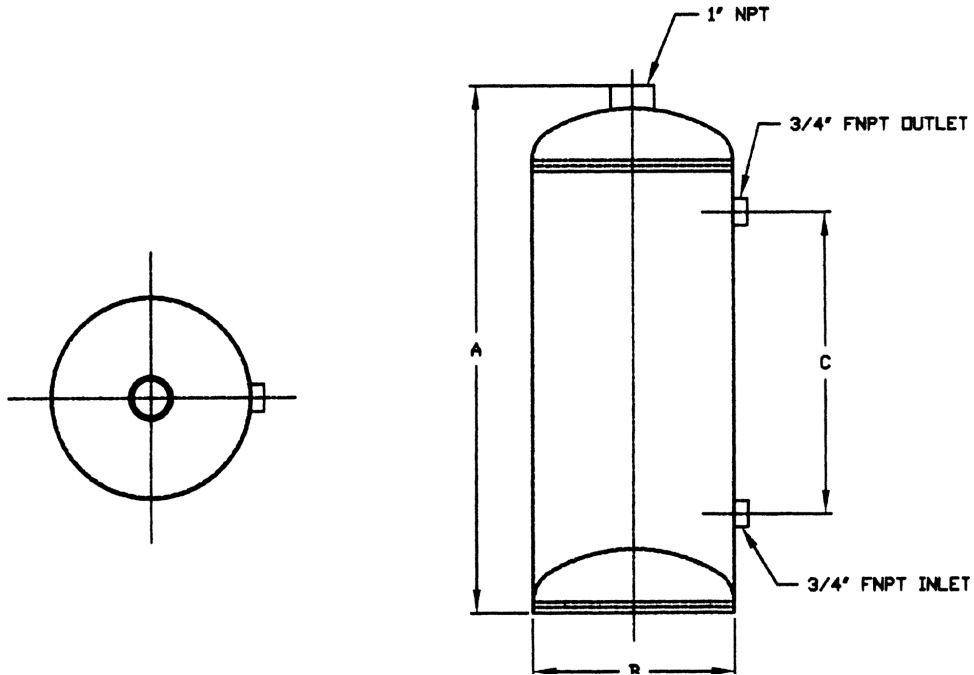


CHEMICAL BY-PASS FEEDERS



PART NUMBER	VOLUME	A (IN.)	B (IN.)	C (IN.)	HEAD GAGE	SHELL GAGE	WEIGHT
PFT-002	2 GAL.	20	6	12-3/4	11	11	23
PFT-005	5 GAL.	18	10	10-1/2	9	10	37

NO FILTER

USE:

For water treatment in closed circulating water systems and boilers.
 Great for use with chilled water treatment such as cooling systems and hot water treatment in heating systems.
 Helps prolong life of heating and cooling systems.

SPECIFICATIONS:

Carbon Steel Construction
 Working Pressure rated at 300 P.S.I.
 Non-Code

JOB NAME _____
 LOCATION _____

 CONTRACTOR _____
 CONTRACTOR P.O. NO. _____

ITEMS	QUANTITY
_____	_____
_____	_____
_____	_____
_____	_____
_____	_____

MECHANICAL ROOM SUPPLIES 
A GFP Company
 932 Brookwood Drive
 Columbia, SC 29201
 803.343.0710
 TOLL FREE 866.267.1379
 FAX 803.343.0713
www.mechanicalroomsupplies.com