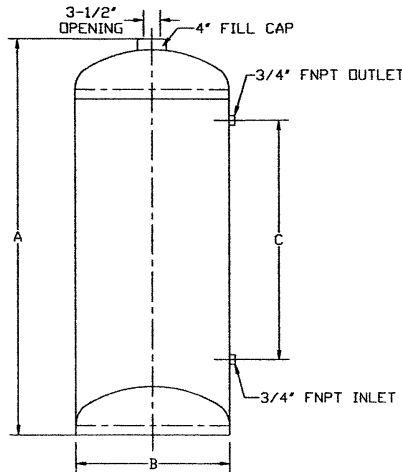


CHEMICAL BY PASS FEEDERS



PART NUMBER	VOLUME	A (IN.)	B (IN.)	C (IN.)	WEIGHT	HEAD GAGE	SHELL GAGE
BFT-002-O	2 GAL.	21-1/4	6	12-3/4	23	11	11
BFT-002-F	2 GAL.	21-1/4	6	12-3/4	23	11	11
BFT-005-O	5 GAL.	19-3/4	10	10-1/2	37	9	10
BFT-010-O	10 GAL.	35-3/4	10	26-1/2	60	9	10
BFT-012-O	12 GAL.	42	10	32-3/4	68	9	10

Part # Suffix: F=Optional Filter Can be Installed

Cap is Cast Iron with Buna N Ring Wide Mouth, Easy Open & Easy Close.

USE: For water treatment in closed circulating water systems and boilers. Great for use with chilled water treatment such as cooling systems and hot water treatment in heating systems. Helps prolong life of heating and cooling systems.

SPECIFICATIONS:

Working Pressure rated at 300 P.S.I.

Caps are Easy Quick Opening

Bottom of Cap is Epoxy Coated for Liquid

Carbon Steel Construction

Self Supported Bottom

Coarse Thread with 2 1/2 Turn Design



CARTRIDGE FILTER

PART NUMBER	DESCRIPTION
FC-005	5 MICRON PLEATED FILTER
FC-020	20 MICRON PLEATED FILTER

MODELS BFT-F AND VFT-F INCLUDE BUILT IN SUPPORT FOR FILTER ASSEMBLY.

JOB NAME _____
 LOCATION _____

 CONTRACTOR _____
 CONTRACTOR P.O. NO. _____

ITEMS	QUANTITY
_____	_____
_____	_____
_____	_____
_____	_____
_____	_____
_____	_____