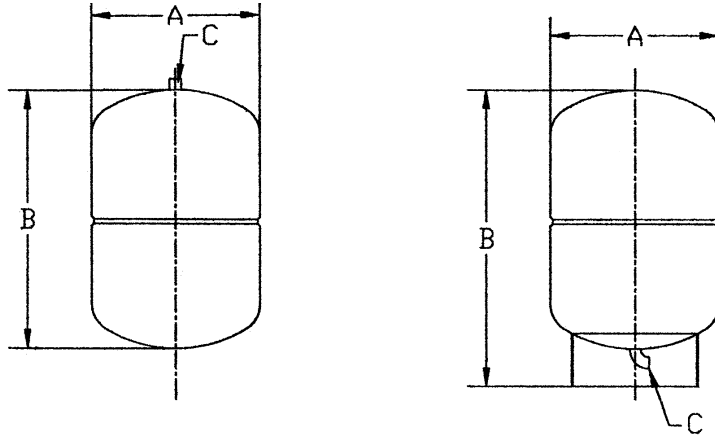




# DIAPHRAGM TANK (non-code)



PART NUMBER	TANK VOLUME	DIAMETER A (IN.)	LENGTH B (IN.)	INLET/OUTLET C (IN.)	WEIGHT	WORKING PRESSURE
DET-002	2.1 GALLON	8.00	11.75	1/2	5	115 PSI
DET-005	5 GALLON	10.50	16.00	1/2	9	115 PSI
DET-006	6.5 GALLON	12.75	14.00	1/2	10	115 PSI
DET-009	9 GALLON	15.75	15.50	1/2	16	115 PSI
DET-013	13.5 GALLON	15.75	20.00	1	19	115 PSI
DET-013-STD	13.5 GALLON	15.75	25.00	1	23	115 PSI
DET-021-STD	21 GALLON	15.75	32.00	1	35	90 PSI
DET-027-STD	27 GALLON	20.00	29.50	1	40	90 PSI
DET-040-STD	40 GALLON	20.00	38.00	1	61	90 PSI
DET-053-STD	53 GALLON	24.00	42.33	1	77	90 PSI
DET-066-STD	66 GALLON	26.00	40.50	1	90	90 PSI
DET-080-STD	80 GALLON	26.00	45.00	1	98	90 PSI

\*STD: Stand Model

\*All Others: In-Line Model

**USE:** Designed to absorb expansion of non-potable fluids in typical hydronic & cooling systems.

Bladder material is suitable for hot water application. Installation of tank will help eliminate unnecessary blowing of relief valves and lost BTUs.

### SPECIFICATIONS:

Non-code

Working Pressure: See Table Above

Powder Coated Epoxy Finish Exterior

Carbon Steel Connection

Fully Adjustable in the Field

Carbon Steel Construction

Maximum Temperature 240° F

Permanent Separation of Air and Water

Factory Air Charged to 12 PSI

For Non-Domestic Use

JOB NAME \_\_\_\_\_  
 LOCATION \_\_\_\_\_  
 \_\_\_\_\_  
 \_\_\_\_\_  
 CONTRACTOR \_\_\_\_\_  
 CONTRACTOR P.O. NO. \_\_\_\_\_

ITEMS	QUANTITY
_____	_____
_____	_____
_____	_____
_____	_____
_____	_____



**A GFP Company**

932 Brookwood Drive

Columbia, SC 29201

803.343.0710

TOLL FREE 866.267.1379

FAX 803.343.0713

www.mechanicalroomsupplies.com