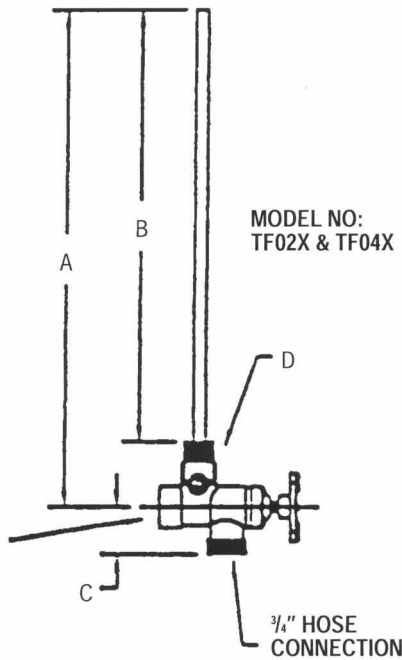


# Tank Drain & Fill

## Model TF02X & TF04X



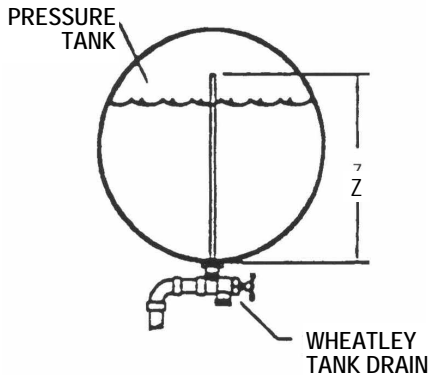
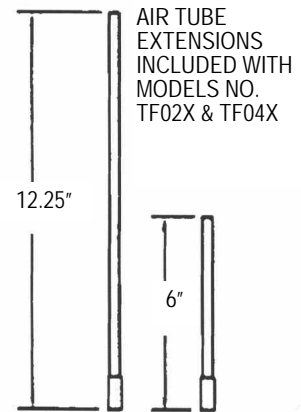
### Dimensions And Sizing

Part #	Model	Tank Dia.	A (in)	B (in)	C (in)	D (npt)
TF02X	2X	14" or less	12.69	11	1.19	1/2"
	-6	20"	18.19	16.50	1.19	1/2"
	-12	24"	24.44	22.75	1.19	1/2"
	-612	30"	29.94	28.25	1.19	1/2"
TF04X	4X	16"	14.69	12.19	1.50	3/4"
	-6	20"	20.25	17.75	1.50	3/4"
	-12	24"*	26.50	24	1.50	3/4"
	-612	30" & up*	32.25	29.75	1.50	3/4"

\* 2" must be cut from extended tube on 4X tank fitting with 24" and 30" diameter tanks.  
See Z dimensions below.

### Materials of Construction

- Body .....Cast Bronze
- Vent Tubes .....Copper
- Max Pressure .....125 PSIG
- Max Temperature .....240°F



### 2 Dimensions for TF02X and TF04X with extensions

Model	Standard Lengths	6" Ext	12" Ext	6" & 12" Ext
TF02X	11.24	16.94	23.19	28.69
TF04X	12.19	18.31	24.31	30.06

JOB NAME \_\_\_\_\_  
 LOCATION \_\_\_\_\_  
 \_\_\_\_\_  
 CONTRACTOR \_\_\_\_\_  
 CONTRACTOR P.O. NO. \_\_\_\_\_

ITEMS	QUANTITY
_____	_____
_____	_____
_____	_____
_____	_____
_____	_____
_____	_____