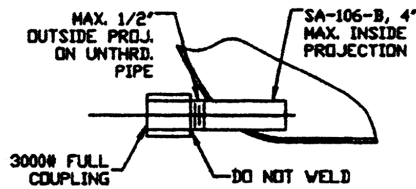
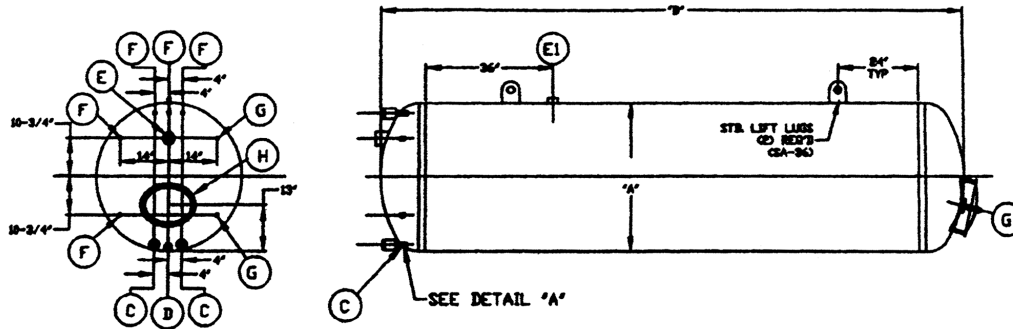


STOCK ASME HYDROPNEUMATIC TANKS



DETAIL 'A'

PART NUMBER	TANK VOLUME	DIA. A (IN.)	LENGTH B (IN.)	IN./OUT. C (IN.)	DRAIN D (IN.)	RLF. VALVE E (IN.)	PRESS. F (IN.)	GAUGE F (IN.)	MANWAY H (IN.)	WEIGHT
EST-1000	1000	42	168	2	1-1/2	2-1/2	2	1/2	11 x 15	1475
EST-2000	2000	60	168	3	2	1-1/2	2	1/2	11 x 15	2806
EST-3000	3000	72	288	4	2	1-1/2	2	1/2	11 x 15	6670

FOR SADDLES PLEASE SEE PAGES 5-30 & 5-31
 FOR PRESSURE GAUGES PLEASE SEE PAGES 7-6 & 7-7
 FOR THERMOMETERS PLEASE SEE PAGE 7-4

USE: Designed for storage of domestic & non-domestic cold water.
 TNEMEC POTA-POX Series 20 lining (NSF approved) on interior provides years of reliable service.

SPECIFICATION:
 Carbon Steel Construction
 Maximum Temperature 120° F
 Includes (2) 3"x6"x1/2" Lifting Lugs and 11x15 Manhole
 ASME Section VIII, Division I Stamped with Documentation
 Working Pressure Rated at 100 P.S.I.
 Primed & Painted Exterior

JOB NAME _____
 LOCATION _____

 CONTRACTOR _____
 CONTRACTOR P.O. NO. _____

ITEMS	QUANTITY
_____	_____
_____	_____
_____	_____
_____	_____
_____	_____

MECHANICAL ROOM SUPPLIES

A GFP Company
 108-C North Shorecrest Drive
 Columbia, SC 29209
 803.783.0648
 TOLL FREE 866.267.1379
 FAX 803.783.0158
 www.mechanicalroomsupplies.com